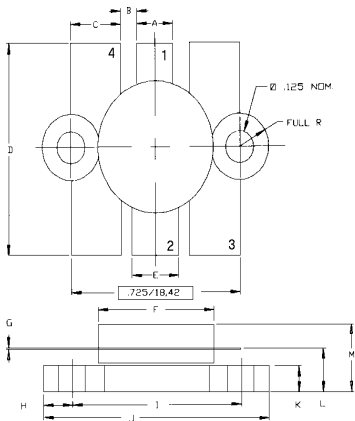


PACKAGE STYLE .500 6L FLG



	MINIMUM Inches/mm	MAXIMUM Inches/mm
A	.150/3,43	.160/4,06
B	.045/1,14	
C	.210/5,33	.220/5,59
D	.835/21,21	.865/21,97
E	.200/5,08	.210/5,33
F	.490/12,45	.510/12,95
G	.003/0,08	.007/0,18
H	.125/3,18	
I	.720/18,29	.730/18,54
J	.970/24,64	.980/24,89
K	.095/2,41	.105/2,67
L	.150/3,81	.170/4,32
M	.280/7,11	

1= Collector 2= Base 3 and 4= Emitter